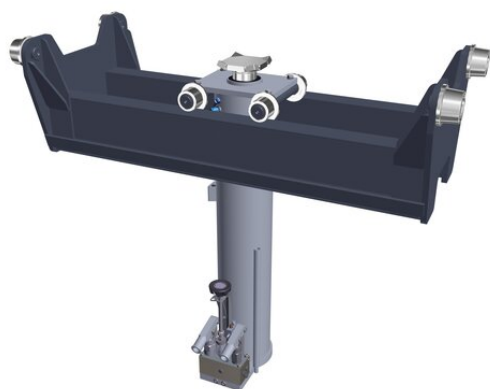


LIFTING TECHNOLOGY

PIT JACK

MPJ 20.0/750 1S HM
VP 454285



MPJ 20.0/750 1S HM

VP 454285

The pit jack, which is mounted in a suspended position, lifts up to 20.0 t.

The overhead rail pit jack, with deep-drawn chassis and long 750 mm stroke, is suitable for work with or without axle crossbeams and support systems. The manual hydraulic drive can be expanded with a pneumatic speed control function for fast piston rod movement. For lifting under load, an air motor can be additionally installed. The chassis is made to measure.

PRODUCT DETAILS/ACCESSORIES

1-stage telescopic, rail-guided, suspended

Description:

Manual pit jack
with hand pump for load lifting

Specifically for wheel and brake works and dismantling smaller assemblies in conjunction with axle lifting beams and support systems for trucks and buses with 20.0 t load capacity

Control:

- Precision, user-friendly hand pump for fast stroke and lift
- Delicate and precision lowering of the pit jack with tried (>>) tested system with integrated dead man's control

Design:

- For precise movement, the pit jack is rail-guided at the top edge of the pit
- Guarantees easy movement of the pit jack since all rollers are fitted with needle bearings crossways and lengthways
- Long total stroke of 750 mm to reach high-up units

- The pit jack is fitted with a downward deep-drawn P carriage for integrating an axle lifting beam at any height
- Alternatively, a straight S carriage can be used too
- Pit jack with custom-made carriage adapted specifically to the individual work pit based on dimension sheet in conjunction with different roller versions and degrees of clearance to adapt to the work pit circumstances
- Corrosion-resistant piston rods thanks to self-lubrication
- High-quality powder-coating protects against corrosive liquids and elevates quality look and feel on a lasting basis

Scope of delivery:

- Pit jack with hand pump
- Deep-drawn P carriage and rollers for rails
- Standard support lugs 120 x 120 mm
- Operating instructions
- EC conformity certificate
- Colour: Jack base frame RAL 7040
 - Attachments and carriage RAL 7016

TECHNICAL DATA

Load capacity (CE)	20,000 kg
Stroke distance	750 mm
Lifting levels	1
Min. pick-up height from roller slide rail	- 86 mm
Pit jack depth for roller slide rail	1000 mm
Max. lifting height above roller slide rail	681 mm
Slide rail width inner dimensions	700 ÷ 1200 mm
Carriage adjustable range	Made-to-measure
Roller rest width	40 mm
Roller rest incline	8 % / 4.6°
Max. parallelism deviation slide rails	10 mm

LIFTING TECHNOLOGY PIT JACK

MPJ 20.0/750 1S HM
VP 454285



TECHNICAL DATA

Roller diameter (at the flange)	80 (95) mm
Support diameter inside/outside	45/70 mm
Piston rod diameter	70 mm
Oil quantity/quality	15.3 l / HLP-D 10
Drive	Manual hydraulic
Operating pressure	308 bar
Weight	210 kg

ACCESSORIES

VZ 975605	Offset rollers for suspended pit jacks of up to 16.5 t -EXTRA CHARGE-	VZ 975287	Lifting Pad w. Rubber Surface, 11 t Load Capacity MODEL: RPG 10
VZ 975924	Cylindrical rollers for suspended pit jacks in pit profile rails	VZ 975289	Plug-In Extender, L = 100 mm, MODEL: ZS 100/45
VZ 975670	Self-locking axle lifting beam with 14.5 t support system MODEL: SAT 14.5-760	VZ 975290	Plug-In Extender, L = 150 mm, MODEL: ZS 150/45
VZ 975813	Self-locking axle lifting beam with 14.5 t support system MODEL: SAT 14.5-820	VZ 975410	Plug-In Extender, L = 200 mm MODEL: ZS 200/45
VZ 975622	Self-locking axle lifting beam with 14.5 t support system MODEL: SAT 14.5-910 STOCK	VZ 971221	Support Plate Extension 100 mm galvanized (2 pcs.) Diameter of supports 35 mm
VZ 975741	Self-locking axle lifting beam with 14.5 t support system MODEL: SAT 14.5-910L	VZ 975330	Support Tube L = 400 mm, Load Capacity: 20 t (Pin Diam. 45 mm)
VZ 975743	SAT Rollers Retrofit Kit, Spring Mounted, with Plastic Rollers	VZ 975331	Support Tube L = 600 mm, Load Capacity: 20 t (Pin Diameter 45 mm)
VZ 975814	SAT Wheel Deflector Plates (2 pcs)	VZ 975571	Support Tube L = 800 mm, Load Capacity: 15 t (Pin Diameter 45 mm)
VZ 975820	Spacer Block for Support Systems SAT (65 x 110 x 320 mm)	VZ 975414	Spacer Block for Support Systems TAB (100 x 140 x 450 mm)
VZ 975903	Axle lifting beam up to 15 t Adjustment range max. 1010 mm MODEL: AT 15	VZ 975732	Gearbox Plate, Load Cpc. 1.0t Model: GP 1000
VZ 975688	Axle Traverse Length Variation	VP 975915	Gearbox Mounting Tool with swivelling flat supports MODEL: GMT 800
VZ 975906	Axle traverse Long for busses, com. vehicles, 16.5t load cap. MODEL: AT 16.5 L1500	VZ 975916	Swivel supports for GMT 800 w. locking function
VZ 975696	Axle Crossbar Load Capacity 3.5 t Model: ATV 3.5	VZ 975917	Angle clamp supports for GMT 800 with rubber pad
VZ 975925	Support bridge for axle traverses up to 14.5 t load capac. MODEL: TAB 15	VZ 975918	Semicircular flex supports for GMT 800 with rubber pads
VZ 975326	Support Bridge AB w/o Centre Cut-Out up to 14,5 t Load Cpc. MODEL: AB 15	VZ 975611	Pit crossing continuously adjustable for pits w/o wheel guides
VZ 975686	Support System Version D/F	VZ 975612	Pit crossing continuously adjustable for pits with wheel guides
VZ 975687	Support System Version E	VZ 975613	Railings for pit crossing continuously adjustable
VZ 975280	Narrow Lifting Pad, 20 t Load Capacity, galvanized, up to 100 mm (Pin Diameter 45 mm)	SUPPLEMENTARY CHARGES	
VZ 975285	Large Lifting Pad, galvanized, Load Capacity 20 t MODEL: GP 175/20	VT 998207	Internal transport -SOUTH Pit, Axle, Gearbox jack Support system (per package)
VZ 975283	Large Lifting Pad, galvanized, Load Capacity 16.5 t MODEL: GP 220	VT 998208	Internal transport -NORTH Pit, Axle, Gearbox jack Support system (per package)
VZ 975569	Pads with mushroom support N with pin diameter 45 mm MODEL: PS-N	VM 996148	Montagekosten Grubenheber
VZ 975409	Wooden Lifting Pad, 6 - 16 t Load Capacity, Prismatic Design, MODEL: HP 06-16	VV 997598	Packaging Suspended pit jack not stackable -EUROPE-
		VV 997599	Packaging Suspended pit jack stackable -EUROPE/OVERSEAS-
		VV 997601	Packaging Lifting beams, gearbox plates, stackable -EUROPE/OVERSEAS-